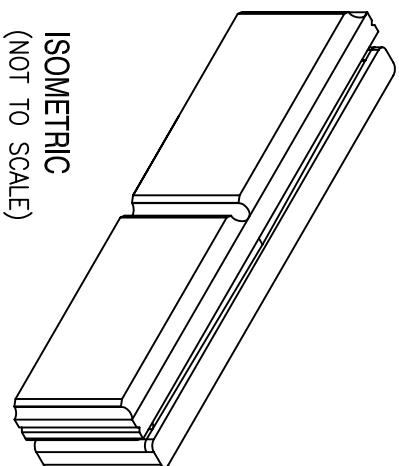
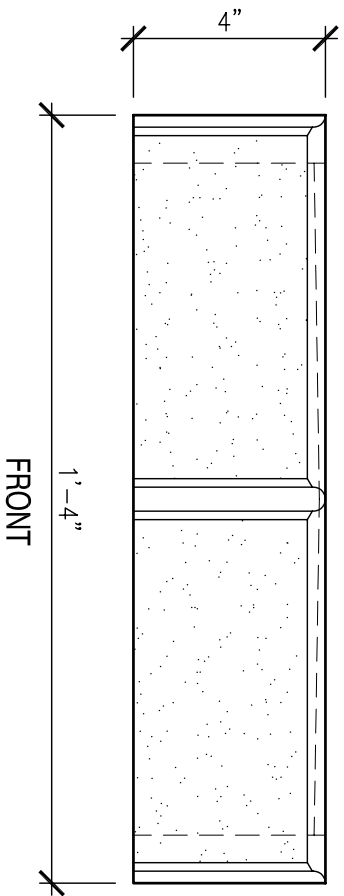


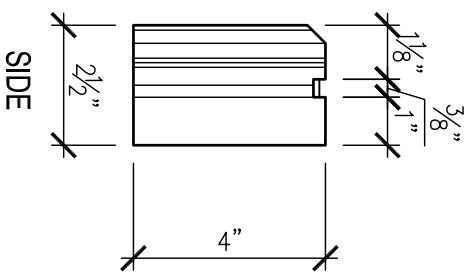
TOP



ISOMETRIC  
(NOT TO SCALE)



FRONT



SIDE

Alliance Concrete Concepts, Inc.  
325 Alliance Place NE  
Rochester, MN 55906

Toll Free: (877) 248-7456  
Phone: (507) 536-4515  
Fax: (507) 529-2879  
Web: www.moderra.com



SHEET TITLE:  
4" BLOCK UNIT - SINGLE SCORE

SCALE: 3" = 1'-0"

REVISION NO. 2

DRAWN BY: BTP

DATE: 05-13-04

DRAWING NO:

150