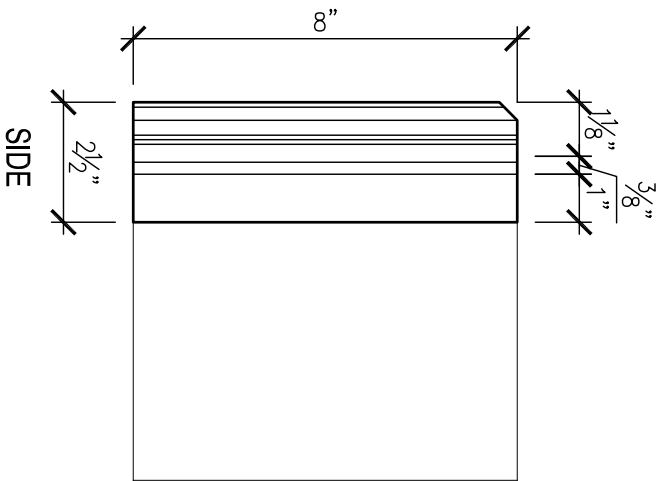
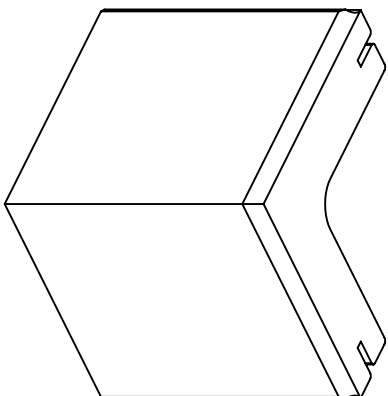


ISOMETRIC
(NOT TO SCALE)



Alliance Concrete Concepts, Inc.
 325 Alliance Place NE
 Rochester, MN 55906
 Toll Free: (877) 248-7456
 Phone: (507) 536-4515
 Fax: (507) 529-2879
 Web: www.moderra.com



SHEET TITLE:
 8" CORNER UNIT

SCALE:	3" = 1'-0"
REVISION NO.	1
DRAWN BY:	BTP
DATE:	09-12-03

DRAWING NO:

170